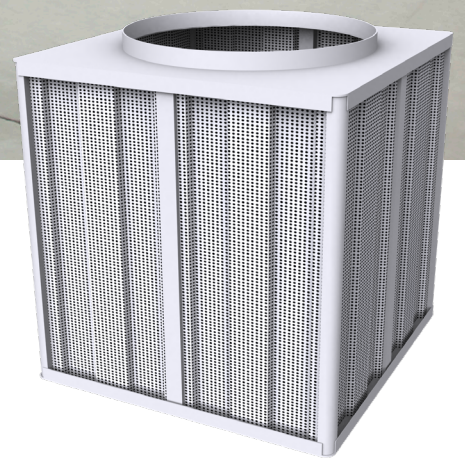


DFXI

RECTANGULAR INDUSTRIAL DIFFUSER



PRICE | DISPLACEMENT

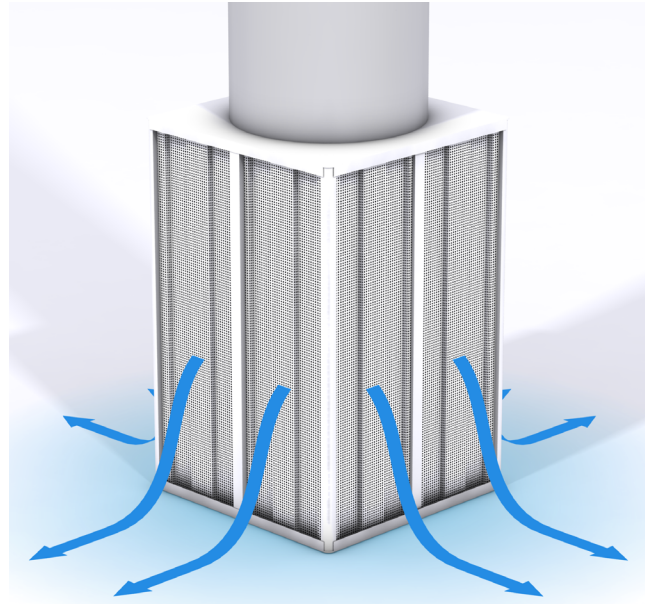
DFXI

Rectangular Industrial Diffuser

The Rectangular Industrial Displacement Diffuser (DFXI) is a freestanding diffuser that can supply low velocity discharge air from up to four active sides into the occupied zone. The DFXI is typically applied in areas with higher loads and higher occupant activity. The rigid and reinforced construction of the DFXI makes it ideal for use in industrial spaces, gyms and spaces with the potential for impact with the diffuser.



DFXI industrial diffuser

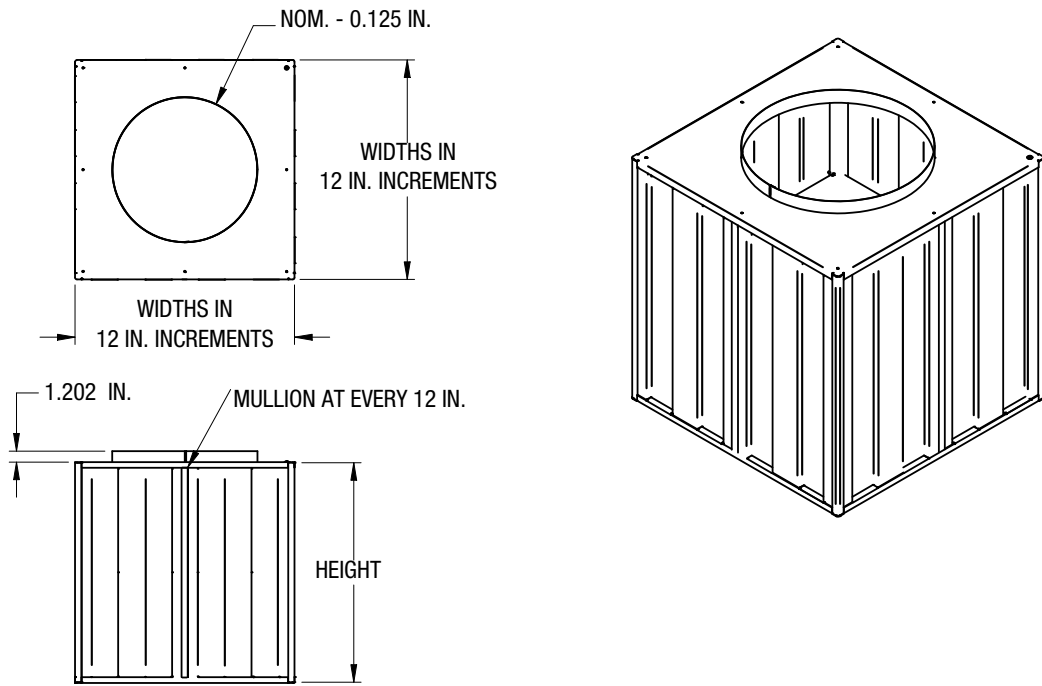


DFXI airflow

CONSTRUCTION & FINISHES

- + Material
 - Frame and equalization baffle - Aluminum
 - Side, top, and bottom panels - Steel
- + Mullions at every 12 in. for increased strength
- + Options
 - Variable height to meet airflow
 - 1, 2, 3, or 4 active sides
 - Ships with protective film on face and inlet
 - Forklift arm support

DIMENSIONAL DATA



Height (in.)	Width x Depth (in.)	Available Inlet Sizes* (in.)
12 (min) 96 (max)	12 x 12	8 - 10
	24 x 24	10 - 20
	36 x 36	16 - 32
	48 x 48	24 - 42

* In increments of 2 in.
For a complete list of standard sizes and inlets, refer to www.priceindustries.com/resources/type/literature/submittals

PERFORMANCE DATA

Unit Size (W x H) [in]	Face Area [ft ²]	Inlet Size [in]	Face Velocity [fpm]	Airflow [cfm]	Total Pressure [in. w.g.]	Static Pressure [in. w.g.]	Noise Criteria	Proximity to Outlet [ft]								
								Draft Rate [DR]						Adjacent Zone [ft]		
								ΔT = 5°F		ΔT = 10°F		ΔT = 15°F		ΔT = 5°F	ΔT = 10°F	ΔT = 15°F
								50 fpm	75 fpm	50 fpm	75 fpm	50 fpm	75 fpm			
24 x 36	23.17	16	40	927	0.04	0.01	-	5	1	5	---	4	---	7	6	6
			70	1622	0.12	0.03	32	15	9	14	8	14	8	17	16	16
			100	2317	0.24	0.06	44	22	15	21	14	20	14	24	23	22
36 x 60	58.75	22	40	2350	0.08	0.03	24	13	7	12	6	12	6	15	14	14
			70	4113	0.23	0.08	43	23	17	22	16	22	15	25	24	24
			100	5875	0.48	0.17	55	30	23	29	22	29	22	32	31	31
48 x 60	78.33	28	40	3133	0.05	0.01	28	17	10	16	10	16	9	19	18	18
			70	5483	0.15	0.04	47	27	21	26	20	26	19	29	28	28
			100	7833	0.30	0.09	59	34	27	33	26	32	26	36	35	35
48 x 72	94.33	32	40	3773	0.04	0.01	30	18	11	17	11	17	10	20	19	19
			70	6603	0.12	0.03	49	28	21	27	21	27	20	30	29	29
			100	9433	0.25	0.07	61	35	28	34	27	33	27	37	36	36

Performance Notes:

1. Sound and Pressure Drop tested in accordance with ASHRAE Standard 70-2006 (RA 2011) "Method of Testing for Rating the Performance of Air Outlets and Inlets."
2. Airflow is in cubic feet per minute, CFM.
3. Pressure is in inches of water, in.wg.
4. The NC values, sound pressure level, are based on a room absorption of 10 dB, re 10⁻¹² watts and one diffuser.
5. Blanks "-" indicate an NC below 15 or a Pressure below 0.01 in.wg.
6. Data for the DFI is presented for 4-way air flow only. For 1, 2, or 3 way airflow, pressure drop and NC will be less than the cataloged value at the same face velocity.
7. Please refer to www.priceindustries.com for more information on this product.
8. Performance data for diffusers not listed above is available by contacting stratified@priceindustries.com.
9. The Adjacent zone describes the distance from the face of the diffuser and measured 1 in. from the floor, at which the supply air velocity is 50 fpm.



Product Improvement is a continuing endeavour at Price. Therefore, specifications are subject to change without notice. Consult your Price Sales Representative for current specifications or more detailed information. Not all products may be available in all geographic areas. All goods described in this document are warranted as described in the Limited Warranty shown at priceindustries.com. The complete Price product catalog can be viewed online at priceindustries.com.